

An aerial night photograph of a boat on a body of water. The boat is illuminated from below with a bright blue-green light, creating a large, glowing circular area on the water's surface. In the background, a city skyline is visible with numerous lit-up buildings under a dark sky. The overall scene is dark, with the primary light source being the boat's underwater lighting and the city lights.

AQUALUMA[®]

A LEGACY IN LIGHT – FOR OVER 20 YEARS

INTERNATIONAL PATENTS APPLY

AUSTRALIAN MADE. TRUSTED WORLDWIDE.

2026
MARINE
CATALOGUE

COMPANY PROFILE

Established in 2004 Aqualuma is a privately owned company based on the Gold Coast, Queensland, Australia. Situated in the heart of the Australian marine industry, Aqualuma is widely regarded as the world's leading LED marine lighting manufacturer. Aqualuma has redefined the underwater light industry with superior technology and high-quality products, lighting the water and exteriors of vessels around the world.

Aqualuma's iconic Thru-Hull range is the world's first and only underwater light range with a one-piece polymer housing unit that has no lenses or seals and is patented in 127 countries.

Aqualuma's use of LED technology allows the company to help manufacturers and owners around the world become more energy efficient. State of the art manufacturing processes offers the minimization of energy consumption in every step of the production and distribution process. Aqualuma products are more than 90% recyclable.

Aqualuma operates globally with sales and service centers in Europe, Asia, Oceania, UAE and the Americas and products are distributed in more than 36 countries.

With a superior product range, market leading warranty and cutting edge technology, Aqualuma has made the choice easy for customers who desire the best in marine lighting.

In 2018 Aqualuma received full accreditation as an Australian Trusted Trader (ATT) from the Department of Immigration and Border Protection. Australian Trusted Trader is a partnership to deliver real trade facilitation benefits to businesses who meet international supply chain and trade compliance standards.





UNDERWATER LIGHTING RANGE & WARRANTY

Aqualuma transformed underwater lighting in 2004 with the introduction of its Thru Hull range, a unique LED system that can be upgraded and serviced with ease.

Proudly Australian made, Aqualuma's Thru Hull lights are the first and only underwater lights in the world with a one piece housing that is completely corrosion proof and injection moulded. There are no lenses or seals, and the lights can be serviced or upgraded without the need to remove the vessel from the water.

These lights are extremely durable and have been pressure tested to an impressive depth of 396 metres, or 1300 feet, below sea level. The greatest advantage of the Aqualuma Thru Hull system is the ability to keep upgrading as LED technology improves. Many of our earliest customers continue to benefit from this feature today.

Aqualuma provides a world leading warranty on the Thru Hull range, with ten years on the external housing and three years on the internal components. This comprehensive warranty covers every part of the product and is unmatched by any other underwater lighting manufacturer.



GEN 4 - 6 SERIES

SMALL IN SIZE, BIG IN IMPACT:
THE 6 SERIES IN OUR SIGNATURE 60MM HOUSING.

Built for durability and performance, the 6 Series features Aqualuma's corrosion-proof, injection-moulded, patented polymer housing – the pinnacle of underwater lighting materials. Fully serviceable and upgradeable without requiring haul out, the 6 Series is now available in Ultra Blue, Brilliant White, and the vibrant new Cyan. Ideal for boats ranging from 6 metres (20 feet) to 13 metres (45 feet), this thru-hull light comes with Aqualuma's 10-year housing warranty and a 3-year warranty on internals.

BLUE

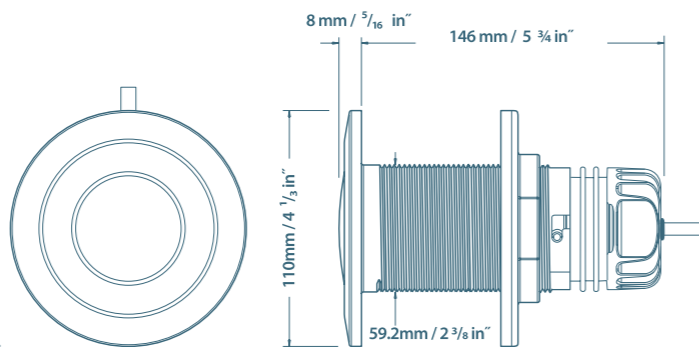
- Colour temperature: 470nm
- Fixture Lumens : 295 lm
- Fixture Lumens Lowlight Conditions : 4,900 lm

CYAN

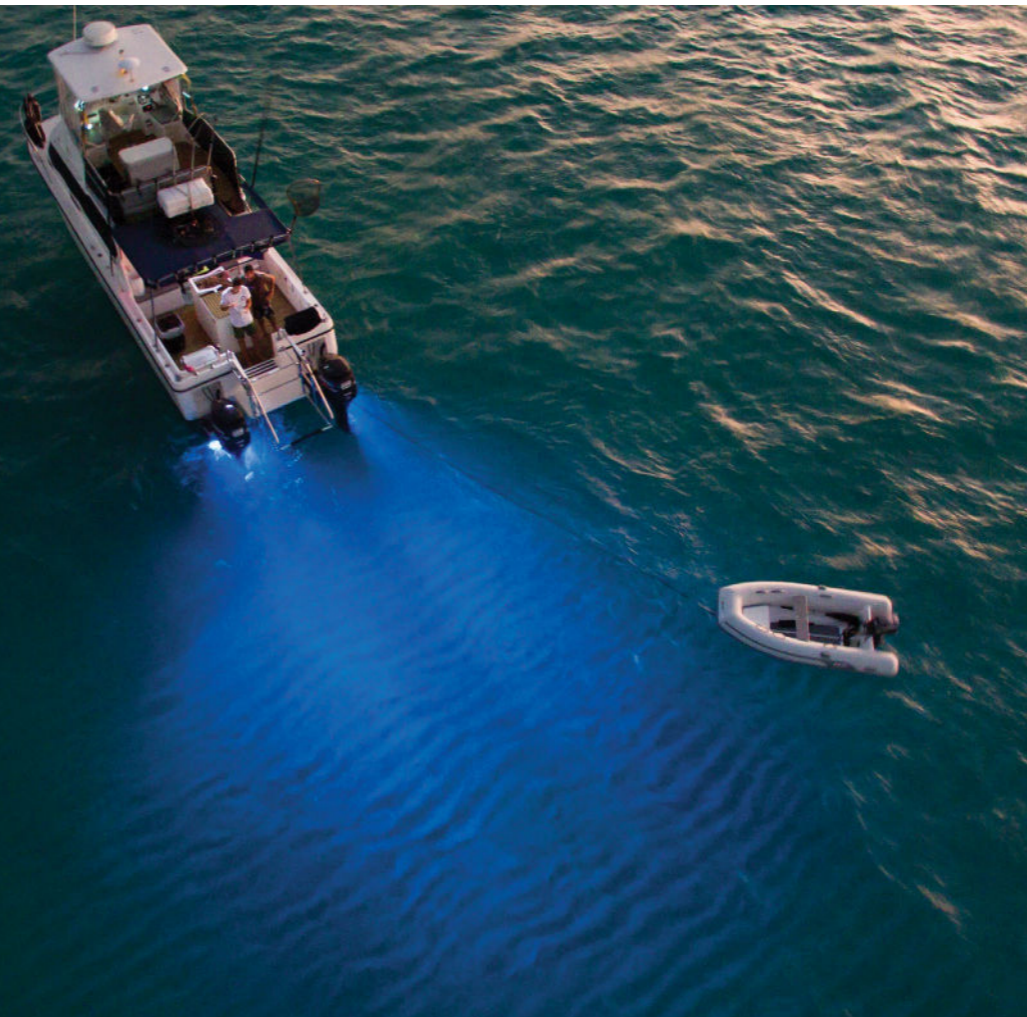
- Colour temperature: 503nm
- Fixture Lumens : 325 lm
- Fixture Lumens Lowlight Conditions : 5,390 lm

WHITE

- Colour temperature: 9000 to 10000 degrees Kelvin
- Fixture Lumens : 770 lm
- Fixture Lumens Lowlight Conditions: 1,725 lm



Thru-Hull SERIES



TECHNICAL SPECIFICATIONS

GEN 4 LED TECHNOLOGY:
Advanced lighting performance.

WARRANTY:
3 years on internals, 10 years on housing.

HOUSING:
Patented, high-tech, chemically resistant polymer.

SERVICEABILITY:
Fully serviceable and upgradeable from inside the vessel.

VOLTAGE:
Compatible with 12 or 24 Volt DC systems.

CURRENT DRAW:
Less than 1 amp @ 12V or 1.3 amps @ 24V.

INSTALLATION:
Easy, low-cost 2-wire installation with no bonding to anodes required.

COMPLIANCE:
Meets global EMI standards.

BEAM:
Delivers a deep-penetrating and wide flat beam of light.

LENS:
No seals to deteriorate or leak.

CABLING:
Includes 3.7 metres (12 feet) of tinned marine-grade cable.

FITTING:
60mm / 2 3/8" thru-hull fitting.

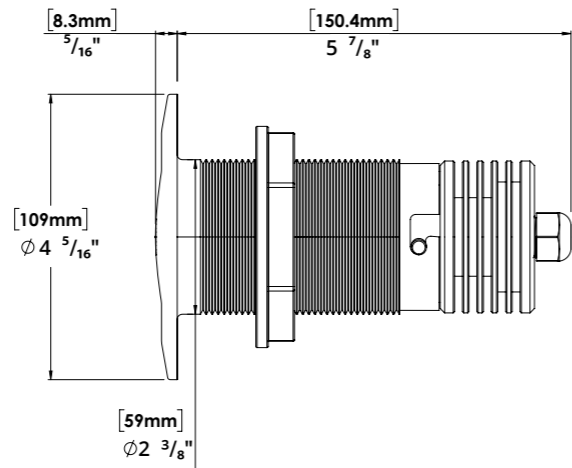
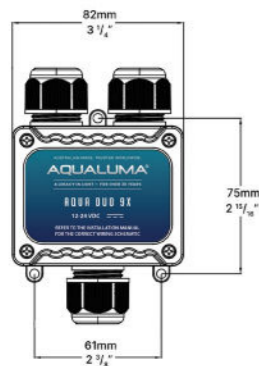
AQUA DUO 9X

POWER ABOVE ITS CLASS.
PERFORMANCE BELOW THE SURFACE.

The Aqua Duo 9X is a factory-paired, high-performance underwater LED lighting system designed to dominate in clarity, beam width, and output intensity. Each unit packs 9 high-powered LEDs, delivering a wide, penetrating flood of light beneath the waterline. It sets the scene with vivid ambience and powerful glow, enhancing the boat's presence and attracting fish below.

With a dedicated external driver, the system keeps critical electronics inside the vessel dry, protected, and high-performing. The Duo 9X is serviceable in-hull, built around Aqualuma's proven 60mm polymer housing, and available in Ultra Blue or Brilliant White.

Whether you're outfitting a runabout or a serious fishing machine, the Aqua Duo 9X delivers unmatched output in a sleek twin-beam configuration. Sold exclusively as a pair.



Thru-Hull SERIES



TECHNICAL SPECIFICATIONS

GEN 4 LED TECHNOLOGY:

Advanced lighting performance.

WARRANTY:

3 years on internals, 10 years on housing.

HOUSING:

Patented, high-tech, chemically resistant polymer.

LENS:

No seals to deteriorate or leak.

SERVICEABILITY:

Fully serviceable and upgradeable from inside the vessel.

VOLTAGE:

Compatible with 12 or 24 Volt DC systems.

CURRENT DRAW:

2 amps @ 12V (2x lights) or 1 amp @ 24V (2x lights)

INSTALLATION:

Easy, low-cost 2-wire installation with no bonding to anodes required.

COMPLIANCE:

Meets global EMI standards.

BEAM:

Delivers a deep-penetrating / wide flat beam of light.

CABLING:

Includes 6 metres (19 feet) of tinned marine-grade cable from each light and 1 metre from control box.

FITTING:

60mm / 2 3/8" thru-hull fitting.

GEN 4 - 12 SERIES

COMMAND THE NIGHT:
THE 12 SERIES LIGHTS UP THE WATER LIKE NEVER BEFORE

The 12 Series is a larger Thru-Hull option, delivering impressive power and performance. Built with a corrosion-proof, injection-moulded, patented polymer housing, it is internally driven and fully maintainable. Now available in Ultra Blue, Brilliant White, and the vibrant new Cyan, the 12 Series is ideal for boats ranging from 12 metres (40 feet) to 30 metres (100 feet). As part of the Thru-Hull range, it comes with Aqualuma's 10-year housing warranty and a 3-year warranty on internals.

BLUE

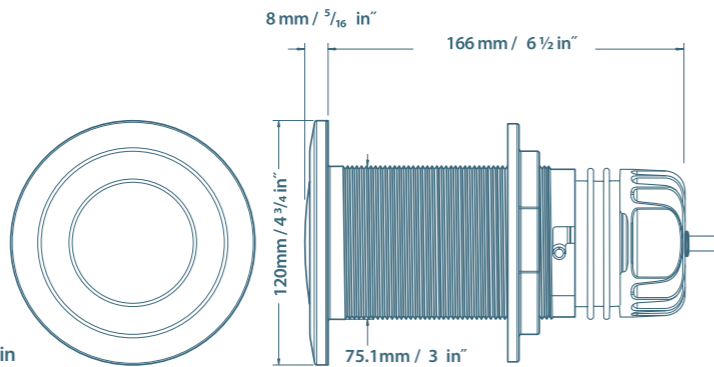
- Colour temperature: 470nm
- Fixture Lumens : 570 lm
- Fixture Lumens Lowlight Conditions : 9,990 lm

CYAN

- Colour temperature: 503nm
- Fixture Lumens : 625 lm
- Fixture Lumens Lowlight Conditions : 10,989 lm

WHITE

- Colour temperature: 9000 to 10000 degrees Kelvin
- Fixture Lumens : 1,525 lm
- Fixture Lumens Lowlight Conditions: 3,608 lm



Thru-Hull SERIES



TECHNICAL SPECIFICATIONS

GEN 4 LED TECHNOLOGY:
Advanced lighting performance.

WARRANTY:
3 years on internals, 10 years on housing.

HOUSING:
Patented, high-tech, chemically resistant polymer.

SERVICEABILITY:
Fully serviceable and upgradeable from inside the vessel.

VOLTAGE:
Compatible with 12 or 24 Volt DC systems.

CURRENT DRAW:
Less than 2.0 amps @ 12V or 1.0 amps @ 24V.

INSTALLATION:
Easy, low-cost 2-wire installation with no bonding to anodes required.

COMPLIANCE:
Meets global EMI standards.

BEAM:
Delivers a deep-penetrating and wide flat beam of light.

LENS:
No seals to deteriorate or leak.

CABLING:
Includes 3.7 metres (12 feet) of tinned marine-grade cable.

FITTING:
75mm (3") thru-hull fitting.

GEN 4 - 18 SERIES

REDEFINING UNDERWATER LIGHTING FOR SUPERYACHTS
THE 18 SERIES SHINES BRIGHTER.

Designed for large vessels and superyachts, the 18 Series delivers exceptional light output, now available in Cyan, Ultra Blue, and Brilliant White. Encased in our patented, corrosion-proof polymer housing, it's built for durability in harsh marine environments. Easily serviceable and upgradable from inside the vessel, the 18 Series also offers a seamless upgrade path for existing 6 and 12 Series users all without the need for haul-out.

BLUE

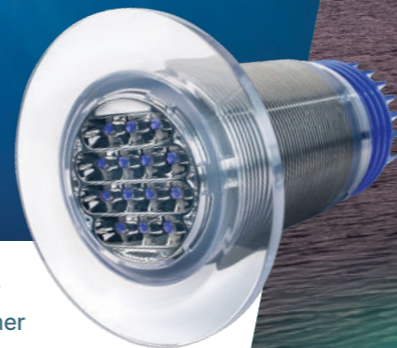
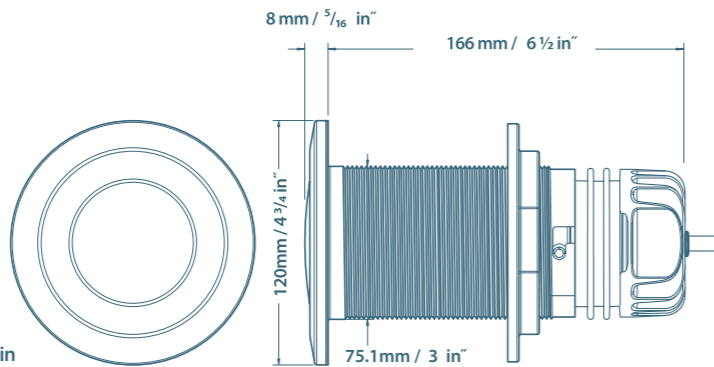
- Colour temperature: 470nm
- Fixture Lumens : 835 lm
- Fixture Lumens Lowlight Conditions : 14,100 lm

CYAN

- Colour temperature: 503nm
- Fixture Lumens : 918 lm
- Fixture Lumens Lowlight Conditions : 15,510 lm

WHITE

- Colour temperature: 9000 to 10000 degrees Kelvin
- Fixture Lumens : 2,150 lm
- Fixture Lumens Lowlight Conditions: 4,920 lm



Thru-Hull SERIES

TECHNICAL SPECIFICATIONS

GEN 4 LED TECHNOLOGY:
Advanced lighting performance.

WARRANTY:
3 years on internals, 10 years on housing.

HOUSING:
Patented, high-tech, chemically resistant polymer.

SERVICEABILITY:
Fully serviceable and upgradeable from inside the vessel.

VOLTAGE:
Compatible with 12 or 24 Volt DC systems.

CURRENT DRAW:
Less than 2.6 amps @ 12V or 1.3 amps @ 24V.

INSTALLATION:
Easy, low-cost 2-wire installation with no bonding to anodes required.

COMPLIANCE:
Meets global EMI standards.

BEAM:
Delivers a deep-penetrating and wide flat beam of light.

LENS:
No seals to deteriorate or leak.

CABLING:
Includes 3.7 metres (12 feet) of tinned marine-grade cable.

FITTING:
75mm (3") thru-hull fitting.



GEN 4 - 18 TRI SERIES

THE COLOURFUL TRI SERIES IS ALL ABOUT OFFERING CHOICE.

The Tri Series combines the brilliance of the blue and white LEDs within the body of the 12 and 18 Series and offers customers the choice of two colours (9 blue and 9 white LEDs) in the one housing. Choose to operate just one colour, or run them together to get a mix of the two, at an intensity that is equal to the 18 Series. Manufactured in the incredibly robust one-piece, corrosion-proof and injection-molded polymer housing. As part of the Thru-Hull range, the 18 Series features Aqualuma's 10 year housing warranty with a 3 year warranty on internals.

BLUE

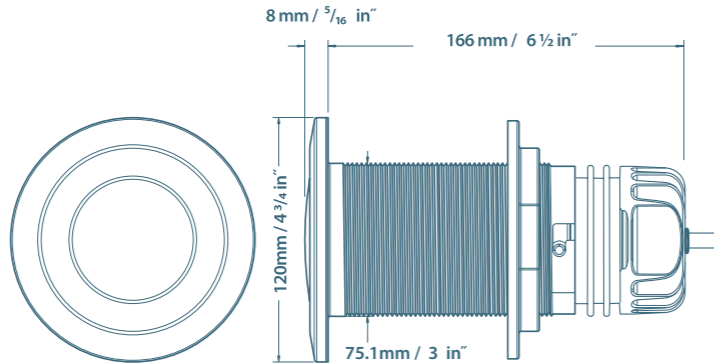
- Colour temperature: 470nm
- Fixture Lumens : 418 lm
- Fixture Lumens Lowlight Conditions : 7,050 lm

WHITE

- Colour temperature: 9000 to 10000 degrees Kelvin
- Fixture Lumens : 1075 lm
- Fixture Lumens Lowlight Conditions : 2475 lm

BLUE / WHITE TRI

- Fixture Lumens : 1,493 lm
- Fixture Lumens Lowlight Conditions: 9,525 lm



Thru-Hull SERIES



TECHNICAL SPECIFICATIONS

GEN 4 LED TECHNOLOGY:

Advanced lighting performance.

WARRANTY:

3 years on internals, 10 years on housing.

HOUSING:

Patented, high-tech, chemically resistant polymer.

SERVICEABILITY:

Fully serviceable and upgradeable from inside the vessel.

VOLTAGE:

Compatible with 12 or 24 Volt DC systems.

CURRENT DRAW:

1 of either colours: less than 1.3 amps @ 12 volt
both colours: less than 2.6 amps @ 12 volt

INSTALLATION:

Easy, low-cost 2-wire installation with no bonding to anodes required.

COMPLIANCE:

Meets global EMI standards.

BEAM:

Delivers a deep-penetrating and wide flat beam of light.

LENS:

No seals to deteriorate or leak.

CABLING:

Includes 3.7 metres (12 feet) of tinned marine-grade cable.

FITTING:

75mm (3") thru-hull fitting.

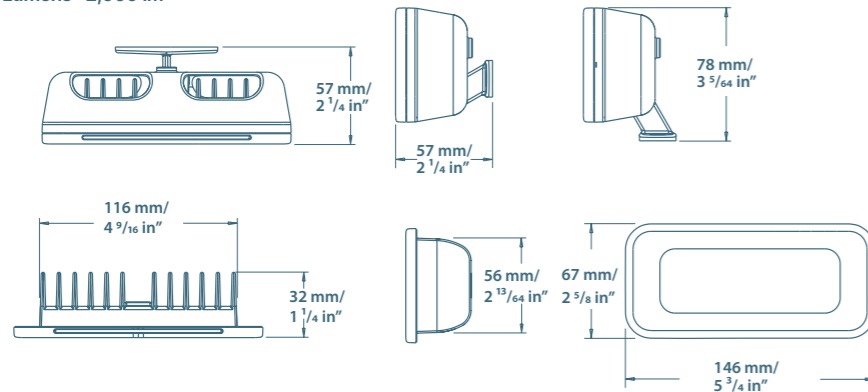
SPREADER LIGHT 12

BRILLIANT ILLUMINATION, FLUSH OR BRACKET MOUNTED

The powerful SL12 features built-in thermal management that automatically adjusts output in extreme heat, protecting the unit on hot days. Available in flush or bracket mount, both versions are easy to install and deliver impressive light output with a clean, streamlined finish. Built from marine grade aluminium and powder coated, the SL12 is available with a white or stainless steel bezel. With its wide beam and exceptional brightness, the SL12 is the perfect choice for high quality deck lighting where performance and reliability matter.

WHITE

- Color temperature 8000 degrees Kelvin
- Fixture Lumens : 2,000 lm



TECHNICAL SPECIFICATIONS

MOUNT OPTIONS:
Available in flush mount or bracket mount styles.

LED COLOUR:
8000K white.

OUTPUT:
High performance 12 LED light engine

VOLTAGE:
Accepts both 12 or 24 Volt DC systems.

CURRENT DRAW:
Less than 2 amps at 12 Volt DC.

THERMAL CONTROL:
Automatically reduces output when exposed to excessive heat.

BEAM:
Very wide spread for illuminating large areas.

HOUSING:
Marine grade aluminium, powder coated for durability.

BEZEL:
Available in white or 316 stainless steel.





CABLE:
Includes 2 metres (6 feet) of cable.

WARRANTY:
2 year product warranty.



LIGHT FITTING GUIDE

UPGRADEABLE

Boat Length		10-25 Ft	25-35 Ft	35-45 Ft	45-60 Ft	60-80 Ft	80-200 Ft
		3-7.5 Mtr	7.5-10.5 Mtr	10.5-14 Mtr	14-18 Mtr	18-24 Mtr	24-60 Mtr
6 Series		✓✓✓✓	✓✓✓✓	✓✓✓✓	✓✓✓✓	✓✓✓✓	✗✗
12 Series		✗✓✓	✓✓✓✓	✓✓✓✓	✓✓✓✓	✓✓✓✓	✓✓✓✓
18 Series		✗✓✓	✓✓✓✓	✓✓✓✓	✓✓✓✓	✓✓✓✓	✓✓✓✓
Tri Series 18		✗✓✓	✓✓✓✓	✓✓✓✓	✓✓✓✓	✓✓✓✓	✓✓✓✓

Legend	✓✓✓✓	✓✓✓✓	✗✗	✓
	Highly Recommended	Recommended. There are better options	Not Recommended	Recommended for boats permanently in the water

Please note the above chart is a guide only. Consult an Aqualuma dealer if you require additional assistance.

Did you know that all Aqualuma Thru-Hull fittings can be upgraded to the latest generation, with one simple process shown below. This upgrade can be done while the boat is in the water.



Twist end cap clockwise and remove old internals.



Slide new Generation internals into housing.



Twist cap anti clockwise, connect wire and you are done.

NOTES



AQUALUMA®
LED LIGHTING

A LEGACY IN LIGHT – FOR OVER 20 YEARS



AQUALUMA LED LIGHTING NZ

PHONE: +64 21 748 437

info@aqualuma.co.nz | www.aqualuma.co.nz

*All information contained in this brochure is correct at time of publication. All specifications are subject to change.